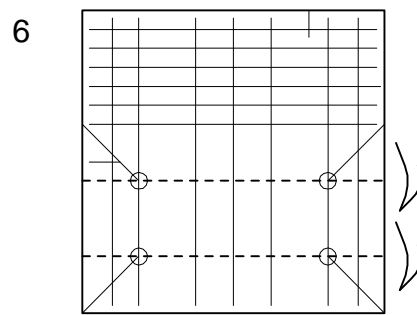
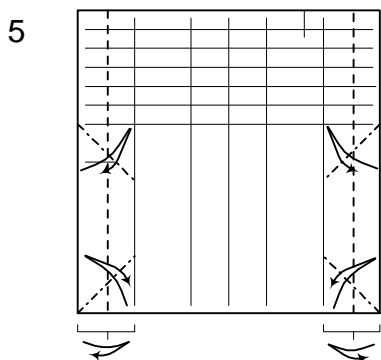
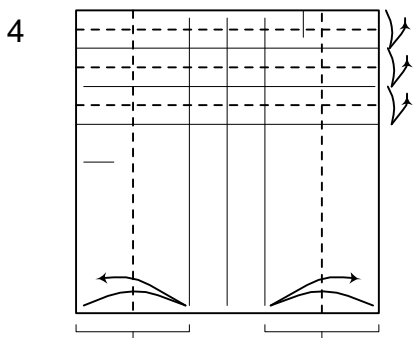
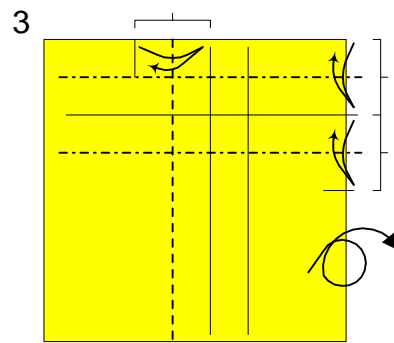
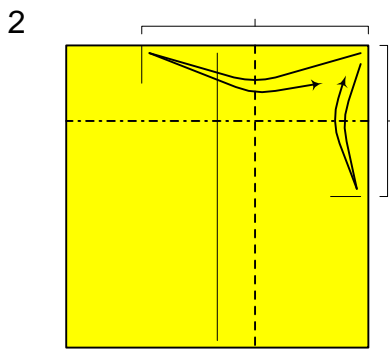
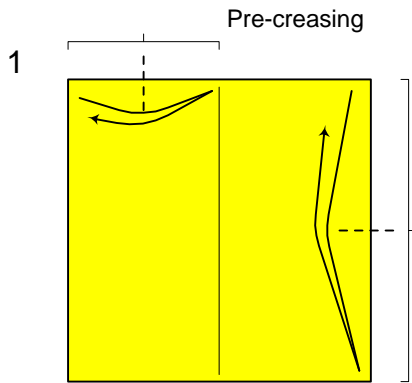
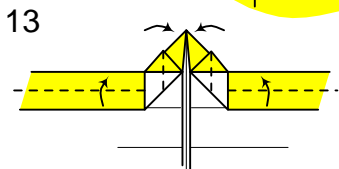
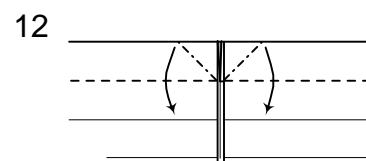
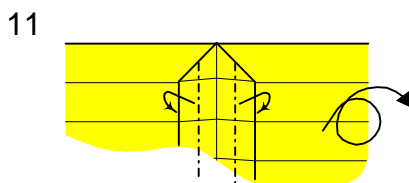
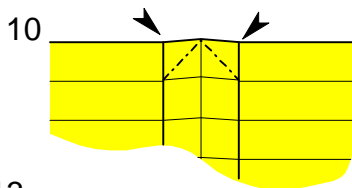
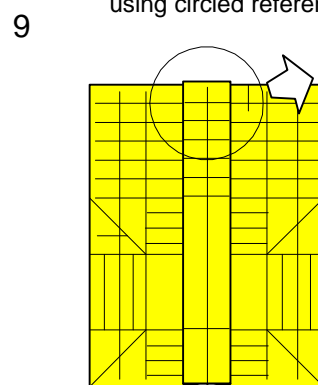
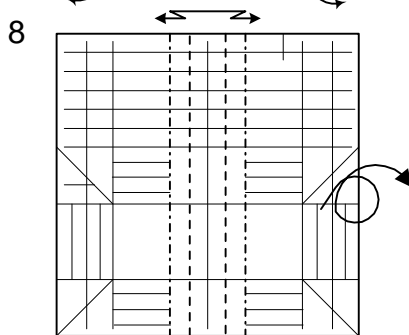
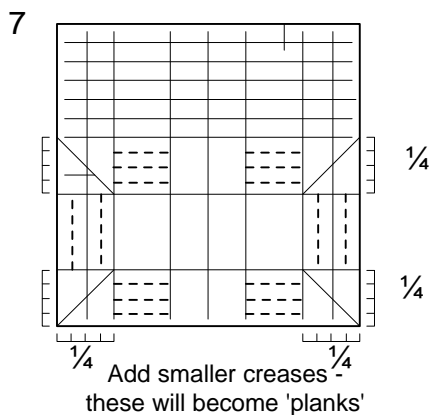


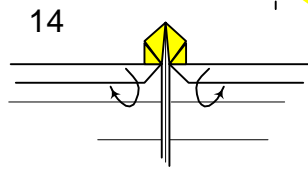
Treasure chest



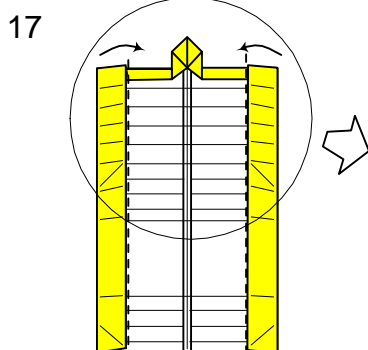
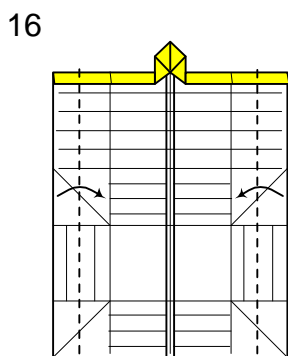
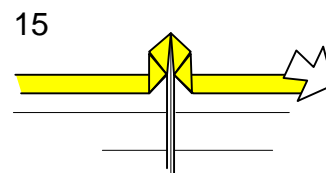
Make 2 valley folds using circled reference points



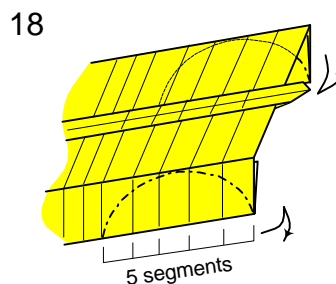
Swivel fold the edges



Colour change

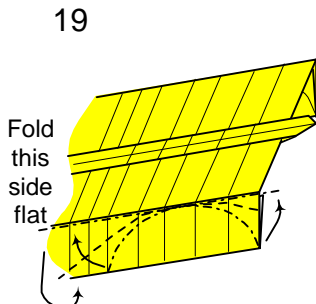


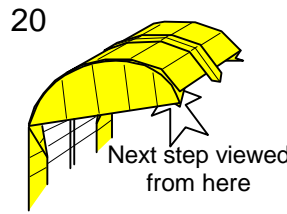
Fold creases 90° (not flat)

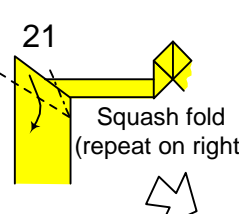


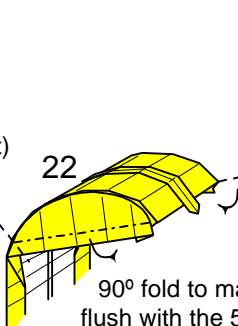
Pinch a curved mountain crease through both layers

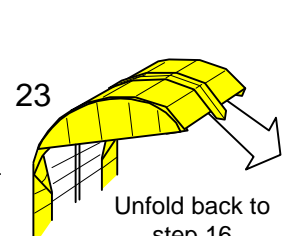
Treasure chest

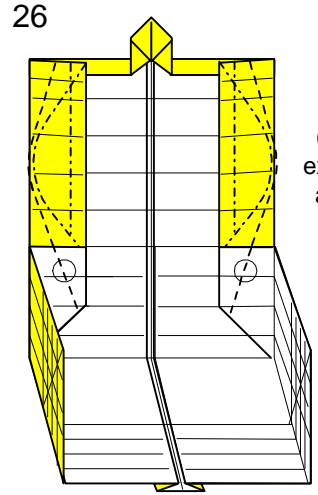
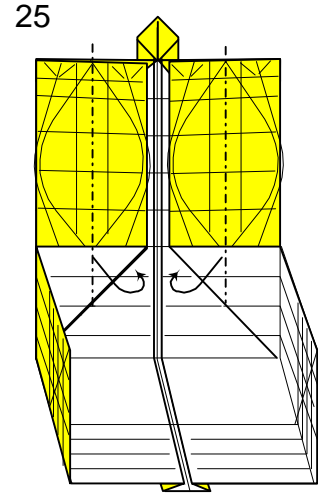
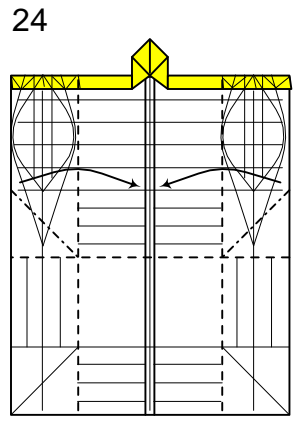
19  **Fold this side flat**
 Form a valley fold so that the curved mountain crease lies on the straight crease above it

20  **Next step viewed from here**

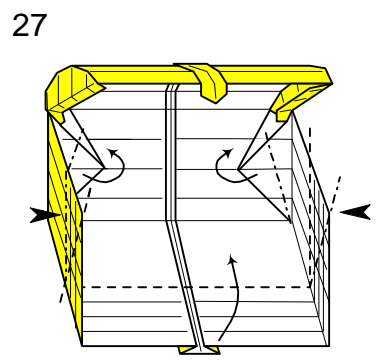
21  **Squash fold (repeat on right)**

22  **90° fold to make sides flush with the 5 segments of the lid**

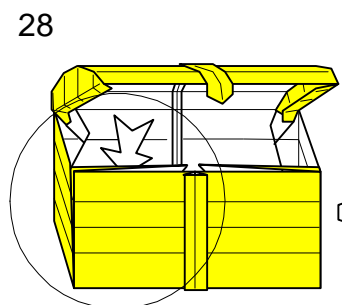
23  **Unfold back to step 16**



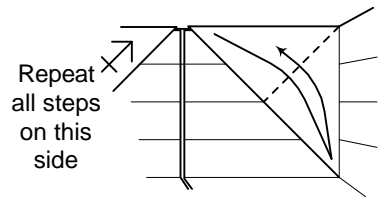
Reform the lid (steps 18 to 23) extending creases at circled points



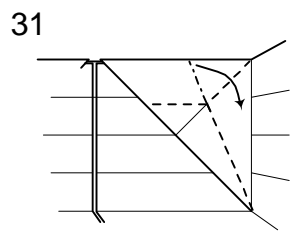
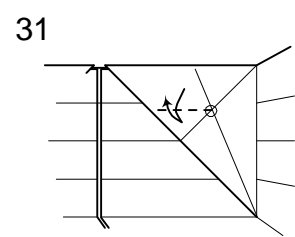
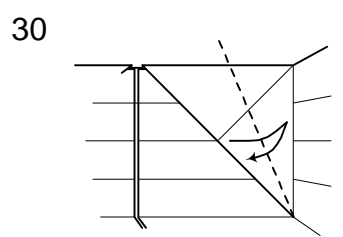
Tuck rear flaps behind to lock lid folds. Form the front of the chest using existing creases.



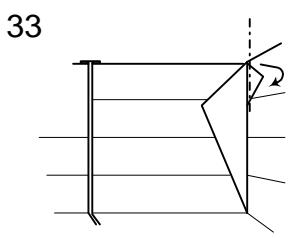
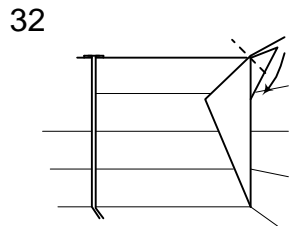
The next few steps are viewed from inside the box



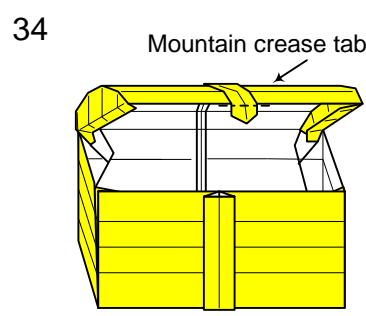
Repeat all steps on this side



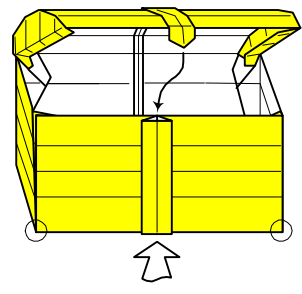
Rabbit ear



Tuck behind



Mountain crease tab



To lock, hold circled corners and gently push the middle of the base while inserting tab