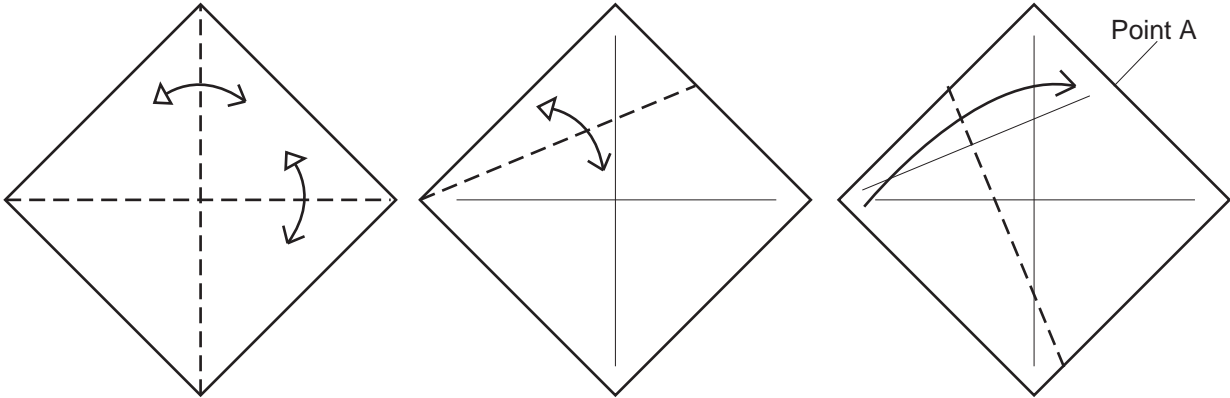


# Pencil

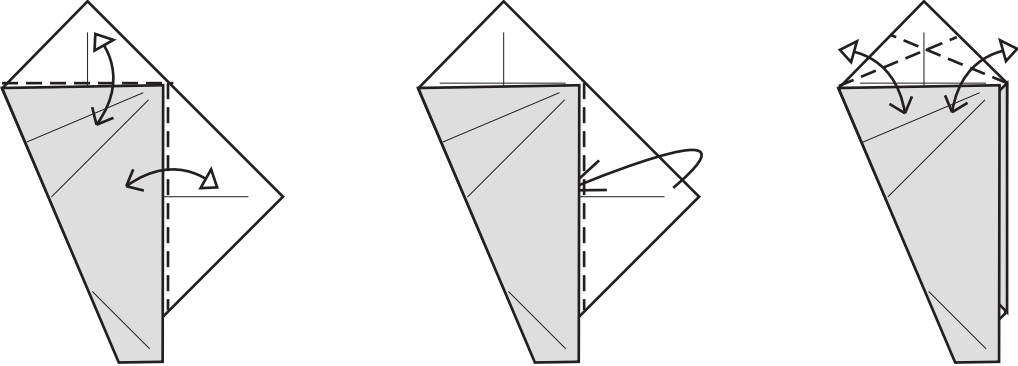
by Marc Kirschenbaum



1. Precrease along the diagonals.

2. Lightly crease along angle bisector; it only needs to be sharp at the raw edge.

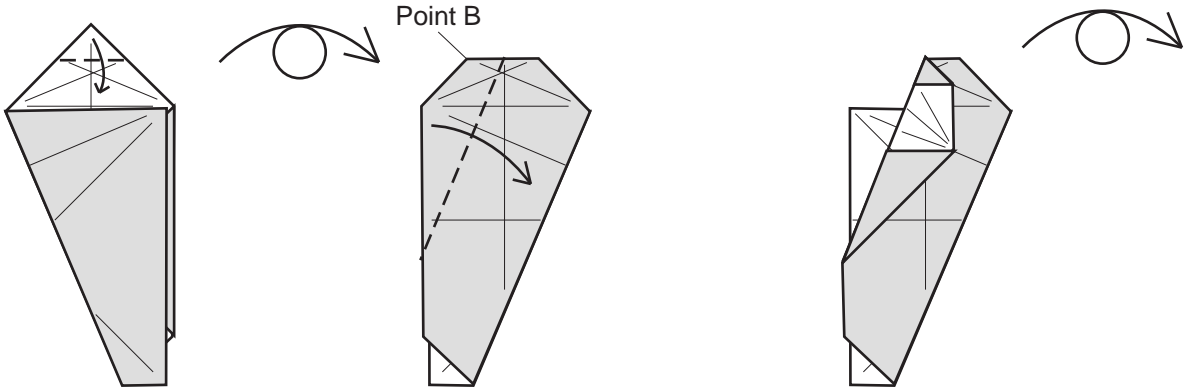
3. Bring the left corner to point A.



4. Precrease.

5. Tuck the side flap under.

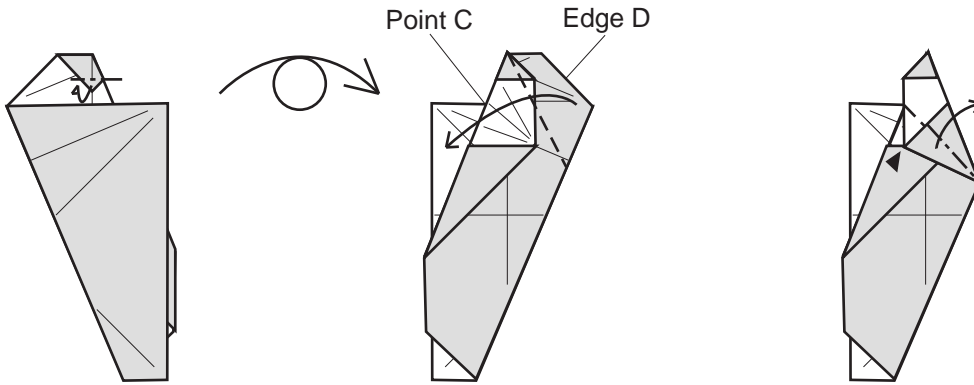
6. Precrease along angle bisectors.



7. Valley down. Turn over.

8. Valley so point B lies along crease.

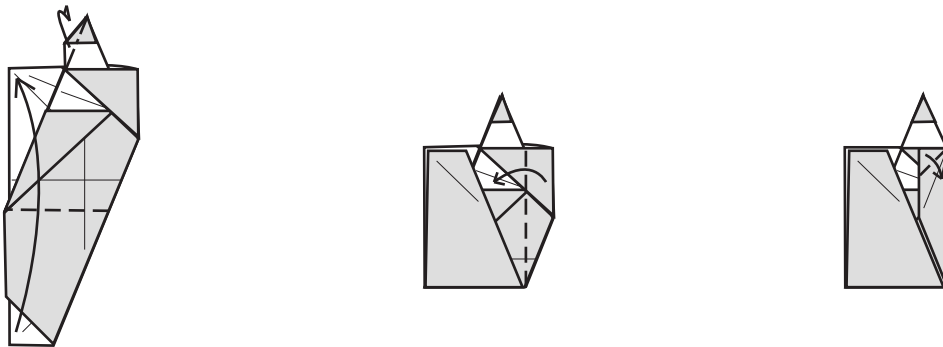
9. Turn over.



10. Mountain under. Turn over.

11. Valley so edge D lands on point C.

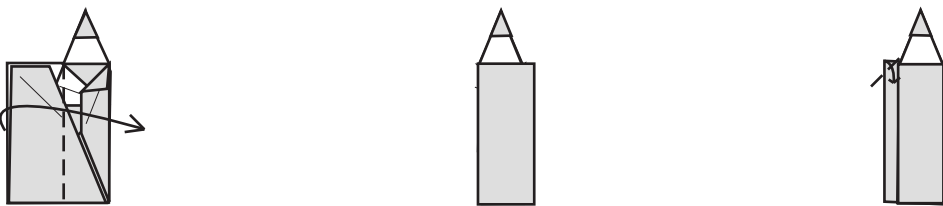
12. Squash.



13. Tuck in excess paper at top. Valley the bottom upwards.

14. Valley in.

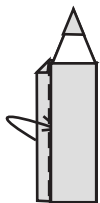
15. Valley corner.



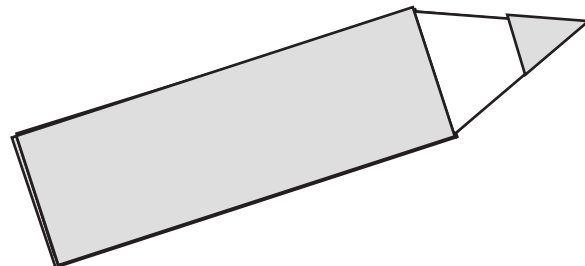
16. Valley over.

17. Turn over.

18. Valley corner.



19. Tuck flap in to lock model.



20. Completed Pencil  
©1995 Marc Kirschenbaum