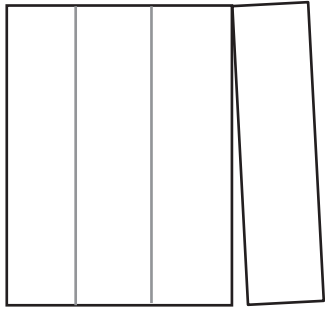
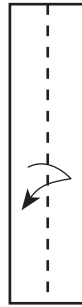


Basket

by Gay Merrill Gross
THE ART OF ORIGAMI



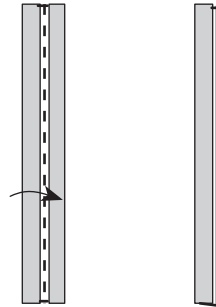
cut one fourth of a square for handle.



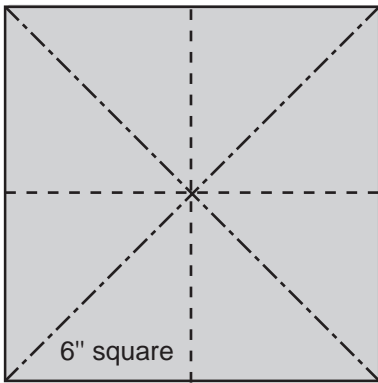
crease center.



fold edges toward center, then fold over.

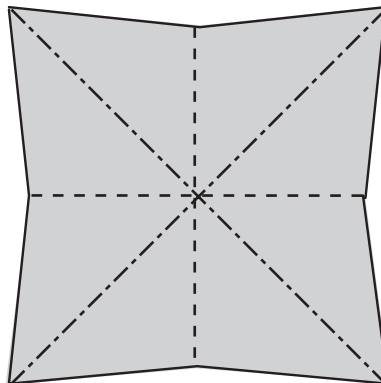


1.

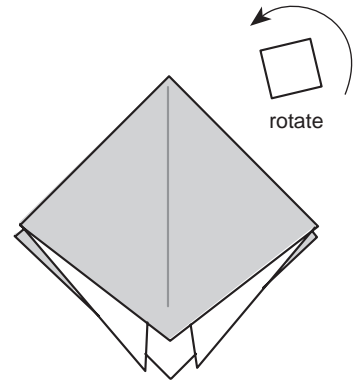


fold in half diagonally, turn over. fold in half on the horizontal and vertical.

2.

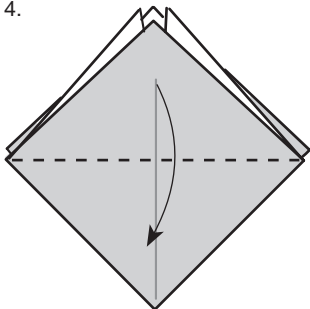


3.



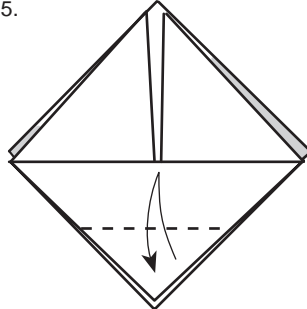
collapse folds to make a square.

4.



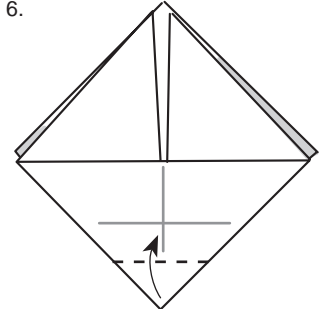
fold down top layer.

5.



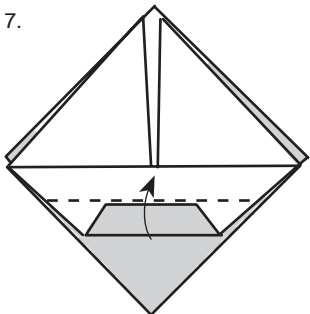
make a crease, folding in half.

6.



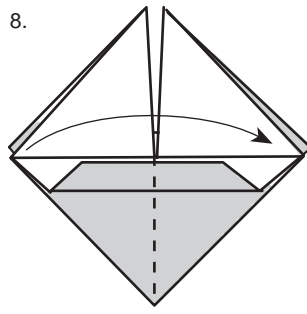
fold up to midway crease.

7.



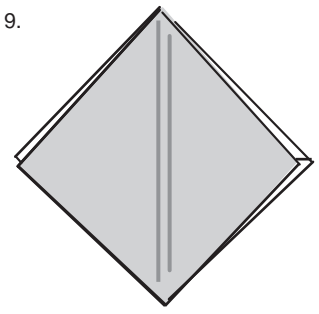
fold over again.

8.

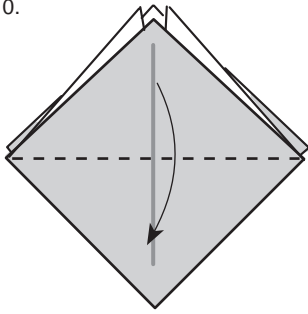


fold over.

9.

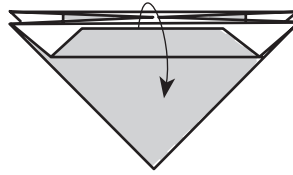


10.



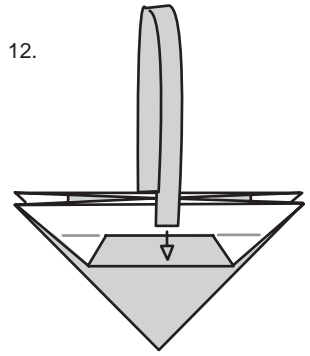
fold down.

11.



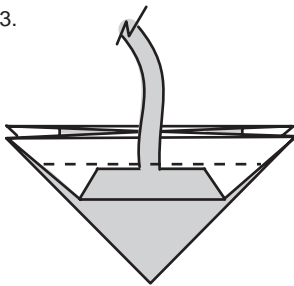
open fold downward.

12.



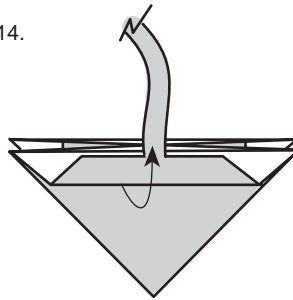
insert handle.

13.



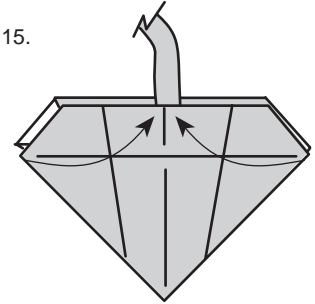
seat handle.

14.



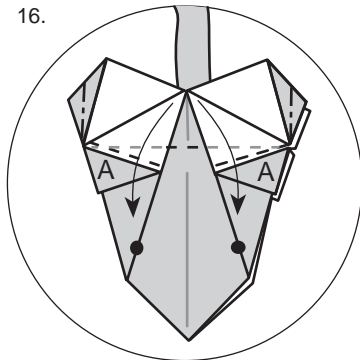
fold back with handle.

15.



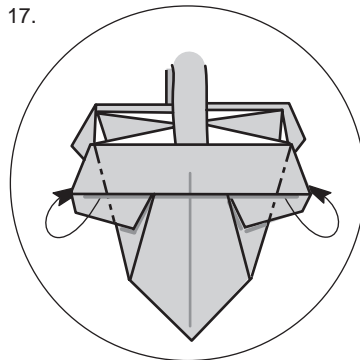
fold towards center.

16.



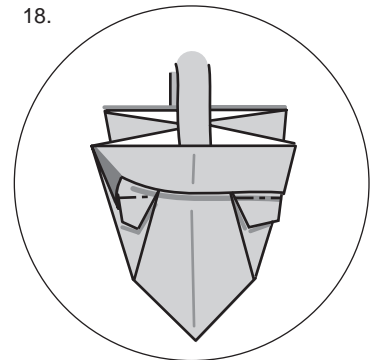
fold down, keeping points aligned.

17.



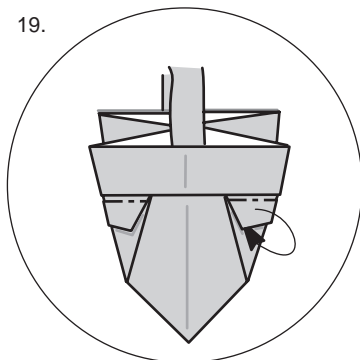
fold back.

18.



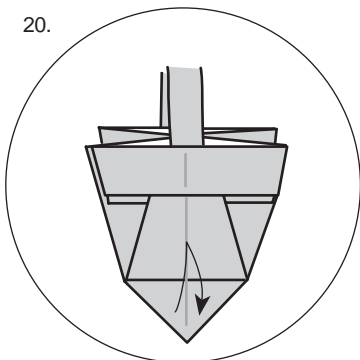
tuck under.

19.



tuck tabs in pocket "A" as seen in above diagram.

20.



make a crease for the bottom. open and flatten bottom.



finished basket.