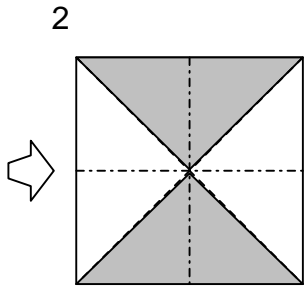
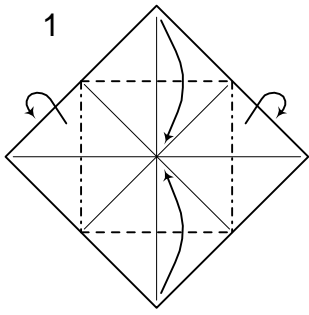
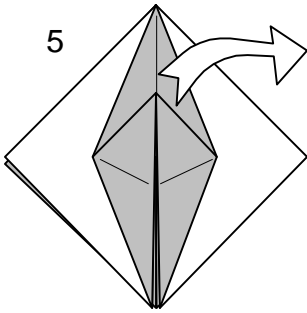
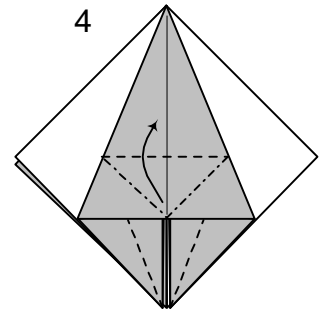
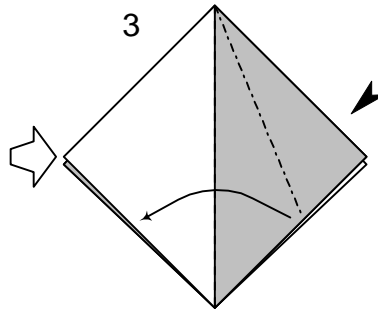


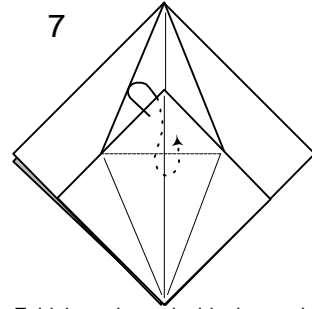
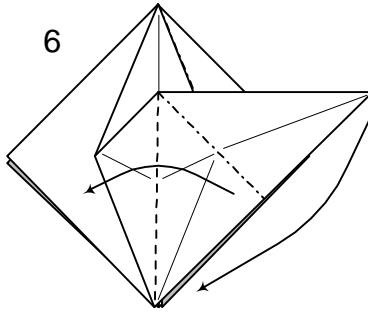
Black Belt in Origami



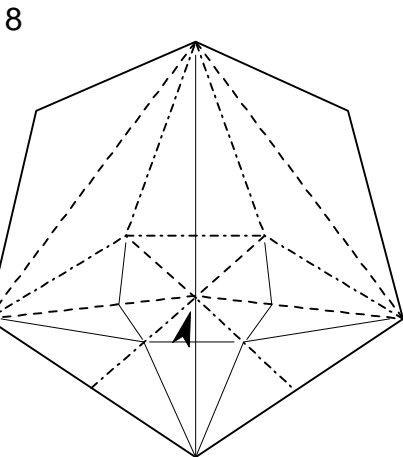
Preliminary fold



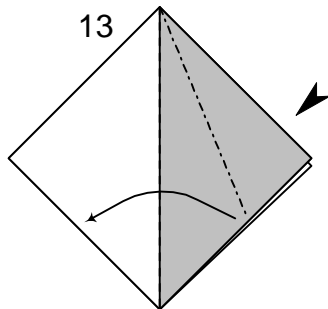
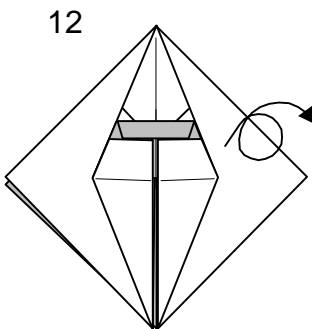
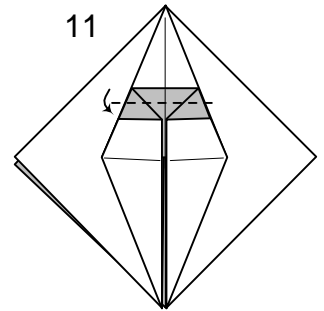
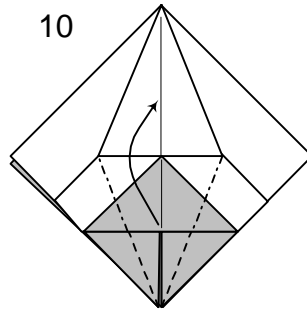
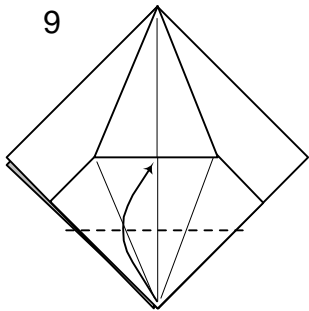
Pull out the loose paper (it helps if you unfold to step 4 first)



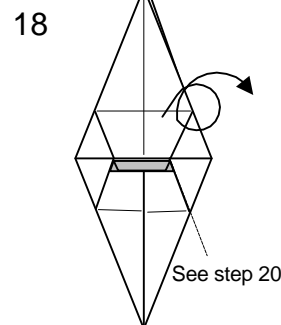
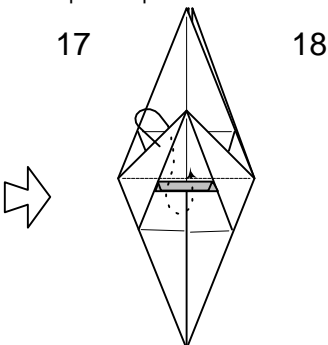
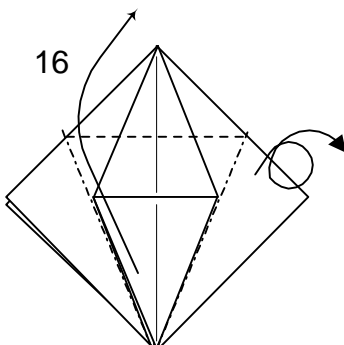
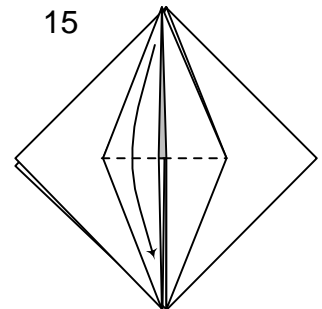
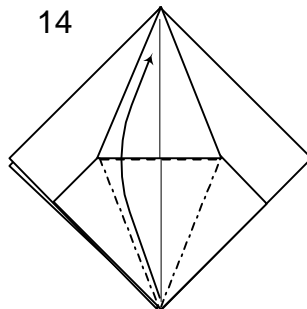
Fold the point up inside the model (you need to pull the model apart to do this)



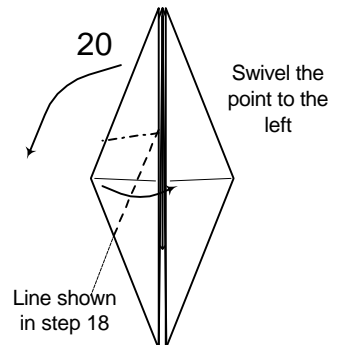
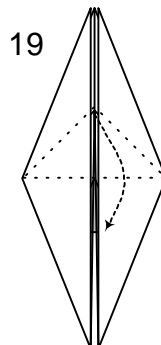
This is the half way stage



Repeat steps 3-8 on this side



See step 20



Swivel the point to the left

Line shown in step 18

Fold the point up inside the model (much harder than step 7!)

Black Belt in Origami

